



Starting as a manufacturer of fine surgical instruments and implants, Palakkad Surgical Industries (PSI) has developed an outstanding reputation for engineering excellence over six decades.

The company prides on its uncompromising values of service, and the remarkable longevity of its typical customer relationships.

Its engineering hub is located at the threshold of the 'Palakkad Gap', a historic corridor for the exchange of ideas and possibilities. Some of these values inform the evolution of PSI as it works with its partners on a range of exciting opportunities.

## PSI MAXIMUS V1

# The One Version for All Surgeries

Advanced Electro Hydraulic Surgical Table



Palakkad Surgical Industries Pvt Ltd

Petronet Road, Wise Park  
Kanjikode East, Palakkad  
Kerala 678621 (India)

T 91 491 2569000, 2566443  
E info@psimedical.net  
W www.psimedical.net

PSI-16/2019

[www.psimedical.net](http://www.psimedical.net)

PSI MAXIMUS V1

# Engineered to Excel



## The evolved PSI Maximus V1 exceeds the Gold Standard

### OUTSTANDING FEATURES

- Soft start and slow movement
- Memory function
- Heavy weight bearing
- Safety hand switch with selection and cursor buttons to avoid accidental change of position
- Programmed flex and reflex by a single button with *Fluidic* sequential posture formation
- Electrical override
- Foot switch option
- Well aligned base, column and table top sections
- Zero position in synch mode
- Hydraulic power brake operated by Hand switch
- Option for X-Ray cassette holders

PSI MAXIMUS V1

# Intuitive. Elegant. Human Centred Design

Safely position patients of any size or weight for any surgical specialty or procedure. The surgical team has optimum access to the surgical site. The required dynamics are achieved with ease ensuring safety and comfort to the patient and for the surgical team.



## Ease and comfort

The unique *Fluidic* design compliments the human anatomy and enables ease and comfort.

## Perfectly aligned

The tabletop sections, the central column and the base are perfectly aligned to offer optimal access, leg space and posture for the surgical team. They also enable safe patient weight bearing.

## Fluidic Design

The *Fluidic* design of the SS covered base allows water and body fluids to run off without pooling on the table's surfaces.

## World class!

The base, the column and the tabletop are superior to even international brands.

## Swift. Stable. Safe.

The beautifully crafted base houses four powered hydraulic pumps that offer stable braking, and large swivel wheels for precise movement when the brakes are released.

PSI MAXIMUS V1

# Powered Electro Hydraulic movements Unmatched flexibility

Safe and perfect patient positioning options allow surgeons to perform at their best with ease.

## Wide range of positioning options

- Reverse orientation
- Eccentric positioning Cranially
- Eccentric positioning Caudally
- Imaging of upper and lower extremities
- Jackknife position
- Lithotomy
- Floating Ortho extension
- Kidney position
- Traction extensions for lower and upper limb
- Laparoscopic
- Arthroscopic

### Positions and Functions

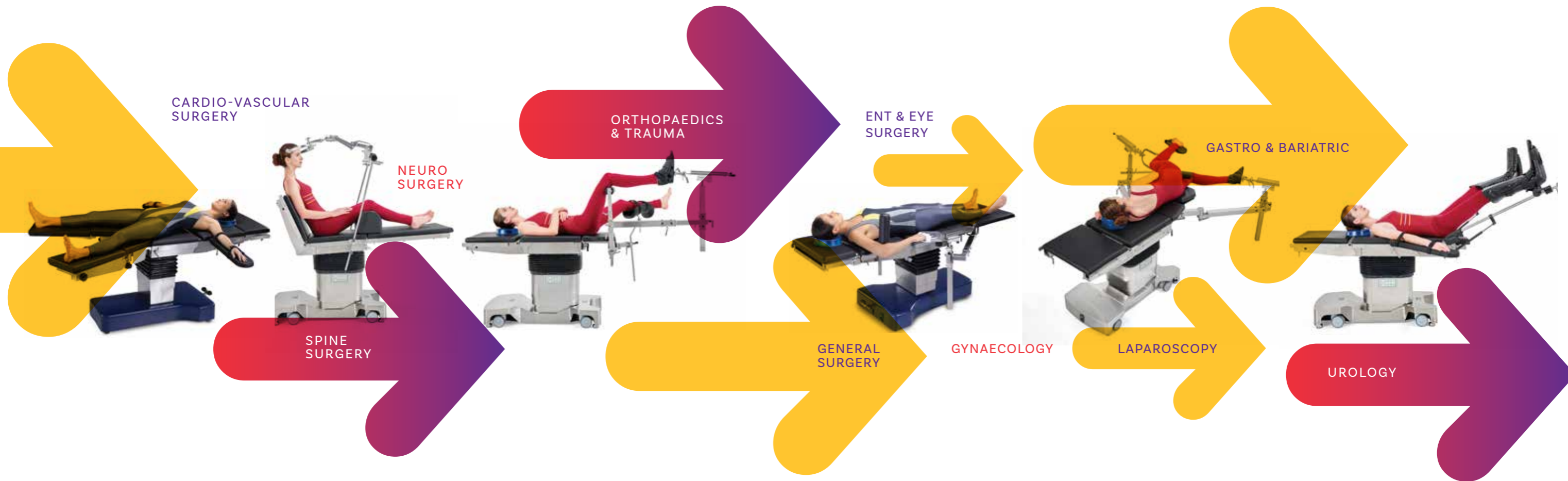
- Up
- Down
- Left Lateral Tilt
- Right Lateral Tilt
- Trendelenburg
- Reverse Trendelenburg
- B Chair
- Top Slide
- Kidney position
- Flex & Reflex



PSI MAXIMUS V1

The one table  
that's ideal for  
multiple  
specialties...

and compatible  
across surgical  
procedures



The **PSI Maximus V1** has a completely Radiolucent tabletop. Its optional Carbon Fiber tabletop enables 2D & 3D imaging of the entire body. The model also allows positioning the patient in Standard or in Reverse positions.

**Compatible with**

- Robotic Surgery
- Brachytherapy
- C & O Arm (2D & 3D)
- Multi-dimensional imaging
- O.R. Integration
- Bluetooth

PSI MAXIMUS V1

# Cardiothoracic and Vascular Surgeries

The eccentric construction of the **PSI Maximus V1** offers ample leg space for the surgeon as well as the surgical team. The very stable braking and the precise, smooth movements enable the surgeon to focus on the patient and the procedure at hand with full confidence.



The optional 4 part divided leg sections allows convenient posture for vein harvesting.



The low minimum height of **PSI Maximus V1** is ideal for Cardiothoracic surgeries.

The optional Cardiac Cage

PSI MAXIMUS V1

# Neuro and Spine Surgeries

The **PSI Maximus V1** offers extended C-Arm window with eccentric positioning in Normal as well as Reverse configurations. Its low minimum height allows the surgeon to have a comfortable sitting posture



Cranial stabilization in Supine position with 3-pin Skull Clamp System



Cranial Stabilization in Prone position with 3-pin Skull Clamp System



Prone positioning for spine surgeries with Horseshoe Headrest fitted to the Base Unit of the Skull Clamp and Radiolucent Spine Frame



The pneumatically supported Back Plate (optional) allows Prone positioning for optimal exposure of the Dorsal Lumbar Spine.



Carbon Fibre tabletop (optional) facilitates 3D or 2D imaging with O Arm/C Arm

Cranial Stabilization in sitting position with 3-pin Skull Clamp System. AC 1611 Cross Bar Attachment for 3-pin Skull Clamp System. Refer to Accessories section to choose patient supports for sitting position.

PSI MAXIMUS V1

# Orthopaedics and Trauma



**Shoulder Treatment Arthroscopy in sitting position**  
AC 1524 Shoulder Surgery Module fitted to the mid section of the tabletop.  
AC 1523 C-shaped headrest to reverse the table  
AC 1118 Multipurpose Armboard  
AC 1103A side support for sitting



**Tibia Treatment with straight line traction**  
Using modular Top Traction System and AC 1503 Counter Traction Post. The uninjured leg can comfortably be abducted using: AC 1405 Knee Crutch Holder and AC 1005 Goepel Knee Crutch



**Hip Treatment in lateral position**  
AC 1111. Side Support TELE SP RO  
AC 1112. Side Support TELE SP SQ



AC 1106 Side Support TELE DP SQ RO  
AC 1110 Side Support TELE SP RE



**Tibia Treatment downwards**  
Using Modular Top Traction System and AC 1503 Counter Traction Post for Tibia for Top Traction System. The Uninjured Leg can be comfortably abducted using AC 1405 Knee Crutch Holder and AC 1005 Goepel Knee Crutch



**Femur Treatment in Lateral Position**  
Using Modular Top Traction System and AC 1508 Stirrup Clamp  
AC 1504 Counter Traction Post for Femur Lateral  
AC 1505 Hip Extension Plate  
AC 1120 Raised Arm Board and AC 1506 Holder for Femur Lateral



**Femur Treatment Supine Position**  
Using Modular Top Traction System and AC 1005 Goepel Knee Crutch  
AC 1405 Knee Crutch Holder for Top Traction System.



PSI MAXIMUS V1

# Orthopaedic & Trauma Surgeries

PSI Maximus V1 offers extended C-Arm window with eccentric positioning in Normal as well as reverse configurations. The low minimum height allows the surgeon to have a comfortable sitting posture



**Knee Arthroscopy**

AC 1520 Arthroscopy Leg Holder, Advanced



**Upper Arm Treatment**



**Knee Treatment**

The positions and accessories shown here are illustrated with **PSI Maximus**. They are all compatible with **PSI Maximus V1**.

PSI MAXIMUS V1

# Urology General Surgery Gynaecology Laparoscopy

The steep Trendelenburg angles and the low height makes the **PSI Maximus V1** ideal for Gastro and Laparoscopic surgeries



**General Surgery Accessories**

- AC 1001 Armboard  
2 Nos.
- AC 1002 Armboard Locking Clamp  
2 Nos.
- AC 1004 Radial Setting Clamp  
2 Nos.
- AC 1005 Goepel Knee Crutch,  
Socket Type. 2 Nos.
- AC 1006 Screen Rod with  
Locking Clamp

**Urology Accessories**

- AC 1702 Urethroscopy Table Top
- AC 1703 SS Washing Tray.
- AC 1701 PCNL Tabletop Attachment  
with Floor Support

**Optional Accessories**

- AC 1103 Side Support with  
(AC 1101) clamp
- AC 1116 Shoulder Support with  
Clamp (AC 1101)
- AC 1128 Litho Stirrups (Pneumatic)  
with Clamps

The Kidney Position can be easily achieved without moving the patient by the unique Programmed Flex with *Fluidic* sequential posture formation



Comfortable Lithotomy Position with Goepel Knee Crutches. The perineal cut perfectly aligned with the recess in the base front offers excellent access to the surgeon.



By engaging the handle at the Distal end, the Stirrups can be lifted Up & Down or abducted easily with the Pneumatic support. The surgeon can attain correct positioning of the legs effortlessly

- AC 1702 Urethroscopy Tabletop
- AC 1703 SS Washing Tray
- AC 1005 Goepel Knee Crutch
- AC 1001 Armboard



Litho stirrup side view

PSI MAXIMUS V1

# Bariatric Surgery



The safe patient weight bearing of the **PSI Maximus V1** is 400 kgs in distributed loading, except in top slide position. In top slide position the safe weight bearing is 250 kgs. in distributed loading.

The dedicated **PSI Maximus V1** bariatric surgery table will not be having top slide feature and offers 400 kgs safe weight bearing in all articulated positions in distributed loading.



The low minimum height offered by the **PSI Maximus V1** offers comfortable posture for the surgeon

The 4-part width extenders accommodate even very obese patients. Each width extender is 100 mm wide. When fitted on both sides they provide a total table width of 730 mm



This image illustrates the heavy weight bearing potential of the **PSI Maximus V1**.

# PSI MAXIMUS V1 Accessories

## Series 1000 Basic Accessories



**AC 1001**  
Arm Board



**AC 1002**  
Arm Board Clamp



**AC 1003**  
Radial Setting Clamp  
Quick Coupling



**AC 1004**  
Radial Setting Clamp



**AC 1005**  
Goepel Knee Crutch  
Socket Type



**AC 1006**  
Screen Rod



**AC 1101**  
Side Support  
Side Rail Clamp



**AC 1102**  
Side Support Clamp  
Quick Coupling



**AC 1103**  
Side Support



**AC 1104**  
Side Support Simple



**AC 1105**  
Side Support  
Tele DP CO SQ



**AC 1106**  
Side Support  
Tele DP SQ RO



**AC 1107**  
Side Support  
Tele DP SQ SQ



**AC 1108**  
Side Support  
DP Screw



**AC 1109**  
Side Support  
Tele SP CO



**AC 1110**  
Side Support  
Tele SP RE



**AC 1111**  
Side Support  
Tele SP RO



**AC 1112**  
Side Support  
Tele SP SQ



**AC 1113**  
Side Support Universal  
with Ball and Socket



**AC 1114**  
Side Support  
Vertical Flat



**AC 1115**  
Side Support CYL



**AC 1115A**  
Pubis Sternum  
Support



**AC 1116**  
Shoulder Support



**AC 1117**  
Screen Road  
with Extension



**AC 1118**  
Multipurpose  
Arm Board

# PSI MAXIMUS V1 Accessories



**AC 1119**  
Surgeon's Armrest



**AC 1120**  
Raised Arm Board



**AC 1121**  
4-Part Split Leg  
Section



**AC 1123**  
Restraint Strap



**AC 1124**  
Bolster Pillow



**AC 1125**  
Foot Support



**AC 1126**  
Intermediate Section



**AC 1127**  
Patient Shifting Roller

## Series 1200 Standard Accessories for Traction Units



**AC 1201**  
Rotation Clamp



**AC 1203**  
Boot



**AC 1204**  
Perineal Post



**AC 1205**  
Extension Side Rail



**AC 1206**  
Screw Tension Device

## Series 1400 Modular Top Traction System



**AC 1401**  
Hip Section with  
Perineal Post Holders  
for Top Traction System



**AC 1402**  
Split Leg Section  
Detachable for  
Top Traction System



**AC 1403**  
Horizontal Adjustable  
Arm for Top Traction  
System



**AC 1404**  
Telescoping L Pipe  
For Top Traction  
System



**AC 1405**  
Knee Crutch Holder  
For Top Traction  
System

## Series 1500 Optional Accessories for Orthopaedics



**AC 1406**  
Floor Support for  
Top Traction System



**AC 1503**  
Counter Traction Post for  
Tibia for Top Traction System  
with Candalax Fixation



**AC 1504**  
Counter Traction  
Post Femur Lateral



**AC 1505**  
Hip Extension Plate  
for Top Traction  
System



**AC 1506**  
Holder for Femur Lateral  
to Support Foot

**PSI MAXIMUS V1**  
**Accessories**



**AC 1507**  
Hip Extension Plate



**AC 1508**  
Stirrup Clamp



**AC 1509**  
Arm Traction Device



**AC 1510**  
Counter Traction Post for Lower Arm - Horizontal



**AC 1511**  
Counter Traction Post for Lower Arm - Vertical



**AC 1512**  
Hand Surgery Table



**AC 1513**  
Floor Support



**AC 1514**  
Humerus Supporting Plate



**AC 1515**  
Humerus Supporting Plate Adjustable



**AC 1516**  
Device for Pelvis Plaster Casts



**AC 1517**  
Rotation and Tilting Clamp



**AC 1518**  
Universal Clamp



**AC 1519**  
Arthroscopy Leg holder, Simple



**AC 1520**  
Arthroscopy Leg holder, Advanced



**AC 1521**  
Shoulder Distractor



**AC 1522**  
Foot Stopper to keep Knee flexed



**AC 1523**  
C-shaped Headrest for sitting position



**AC 1524**  
Shoulder Surgery Module



**AC 1525**  
Knee Support

**Series 1600** Optional Accessories for Spine, Neurosurgery



**AC 1601**  
Knee Chest



**AC 1602**  
Back Support for Knee Chest Position



**AC 1603**  
Thigh Support for Knee Chest Position



**AC 1604**  
Horseshoe headrest with Cervical Traction



**AC 1605**  
Spine Frame

**PSI MAXIMUS V1**  
**Accessories**



**AC 1606**  
Curved, Cushioned Spine Frame



**AC 1607**  
Crossbar with Forehead support for sitting position



**AC 1608**  
Adapter for 3-Pin Skull Clamp and Horseshoe Headrest

**Series 1700** Urology Accessories



**AC 1701**  
Additional RDL / PCNL Table Top



**AC 1702**  
Urethroscopy Table Top



**AC 1703**  
SS Washing Tray

**Series 1800** Bariatric Surgery



**AC 1801**  
Width Extenders

**Series 1900** Cardio Thoracic Surgery



**AC 1901**  
Cardiac Cage

**Series 2500** Accessory Trolley

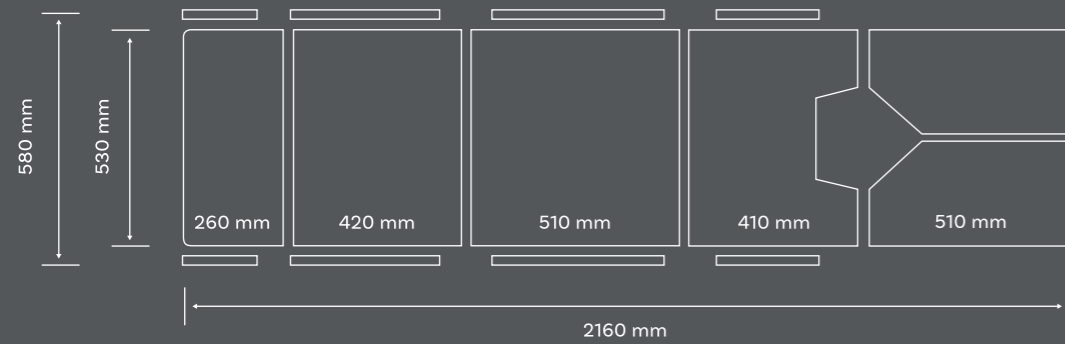


**AC 2501**  
Accessory Trolley

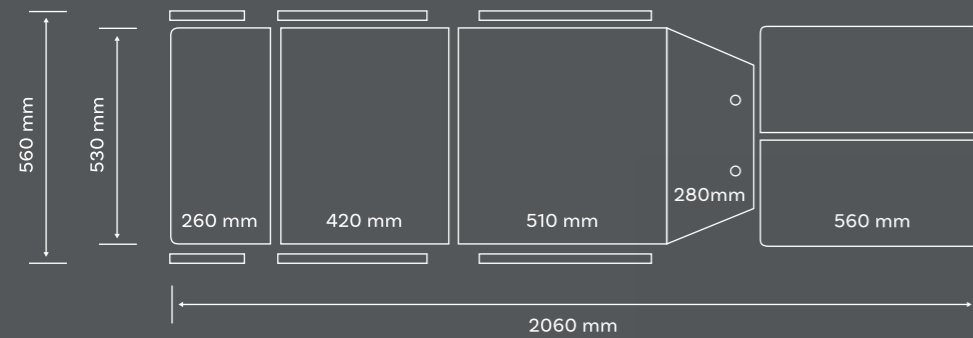
PSI MAXIMUS V1

# Specifications

PSI Maximus V1 General Surgery (GS)



PSI Maximus V1 Orthopaedic Surgery (Ortho)



## DIMENSIONS (mm.)

Length	GS	ORTHO
Head Section	260	260
Back plate Section	420	420
Mid Section	510	510
Hip Section	410	280
Split Leg Sections	510	560
Total Length	2160	2060

## Width

Bed	530	530
Bed with Side Rails	580	580
Bed with Extenders	730	730
Bed with Extenders (Incl. Side Rails)	780	780
Non Divided Leg Section (Optional)	760	760



POSITION	MODE	RANGE
<b>Upwards</b>	Motorized	960 mm Max 1070 mm (Ortho)
<b>Downwards</b>	Motorized	610 mm Min. 720 mm Min (Ortho)
<b>Left Lateral Tilt</b>	Motorized	20 Deg.
<b>Right Lateral Tilt</b>	Motorized	20 Deg.
<b>Trendelenburg</b>	Motorized	30 Deg.
<b>Rev. Trendelenburg</b>	Motorized	30 Deg.
<b>B Chair</b>	Motorized	80 Deg. / -35 Deg
<b>Top Slide</b>	Motorized	300 mm
<b>Flex / Reflex</b>	Motorized Single Button	240 Deg. / 120 Deg.
<b>Head Section Up</b>	Manual	45 Deg.
<b>Head Section Down</b>	Manual	45 Deg. / 90 Deg.
<b>Leg Section</b>	Manual	20 Deg. / -90 Deg.
<b>Kidney Position</b>	Motorized By Flexing	-
<b>Override</b>	Elec/Battery (Motorized) Panel switch on column	-
<b>Braking</b>	Motorized Hand switch & Panel Switch	-
<b>Zero Position</b>	Motorized	Trendelenburg & Reverse  L/R lateral tilts/ Back Plate.  Optionally: Up/Down / Top slide

## Weight Bearing (in distributed loading)

400 Kgs Except in top slide position  
250 Kgs in top slide position