

Derma/Cosmo/HT Chair

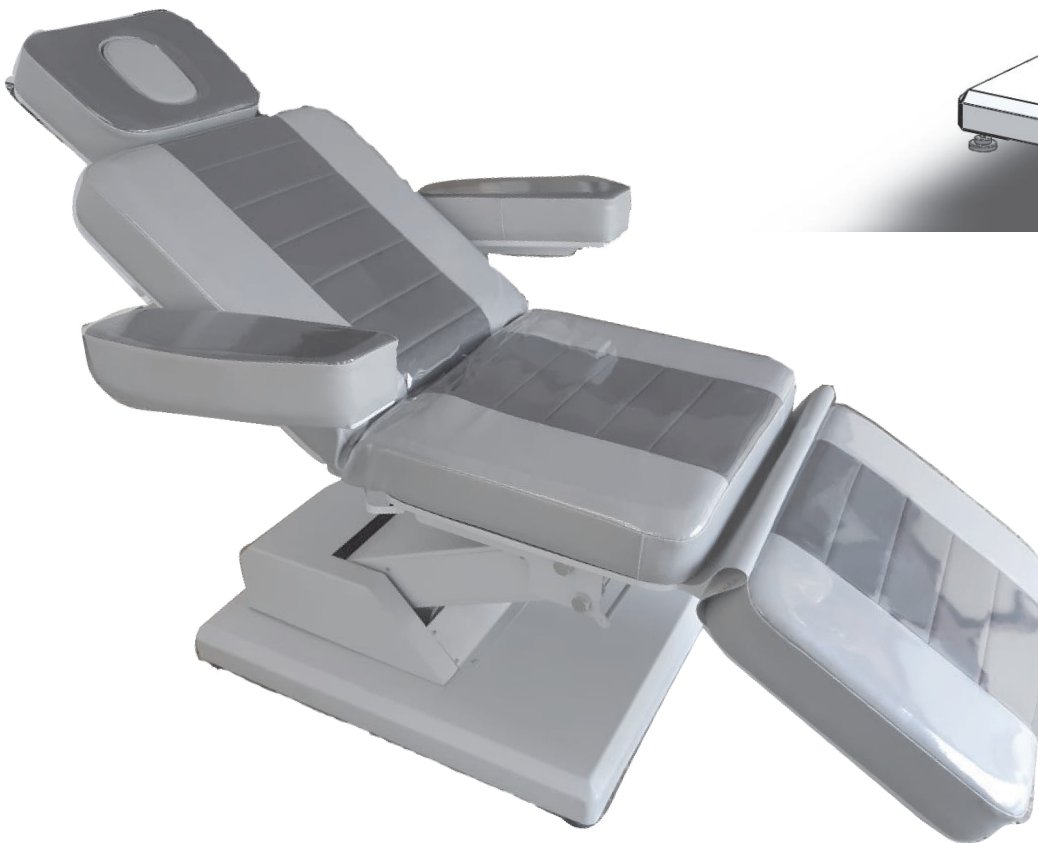
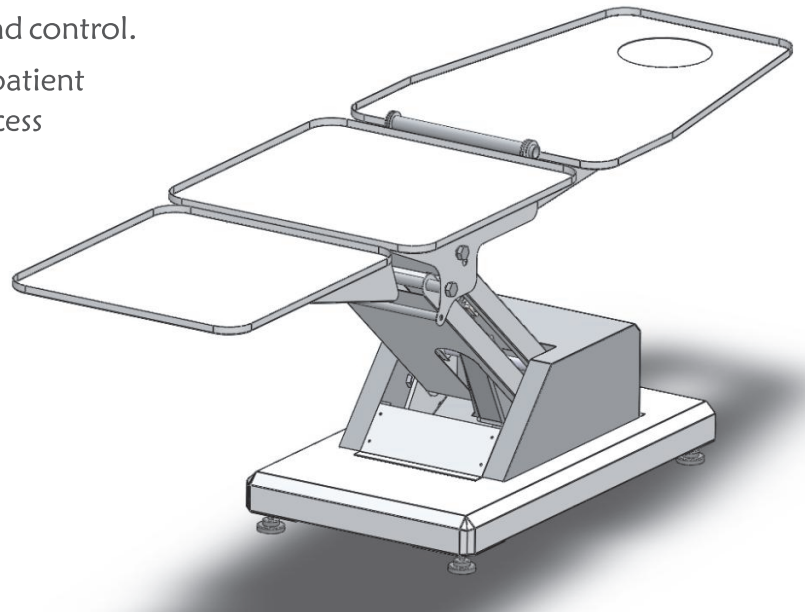
Introduction...

Elegant treatment couch for speciality clinics...

This is a device with motorized positioning control that is intended to medical purposes and that can be adjusted to various positions through hand-operated remote. The couch can be adjusted to a completely horizontal position & high quality cushioning of couch is soft and therefore very comfortable for patients to lie on.

Features:

- Cosmo Chair enhances the patient comfort considerably and therefore help to relieve tension during the treatments.
- Fully adjustable backrest and largest movable armrests for easy access on and off the bed and is equipped with two/three electrical actuators, providing smooth and simultaneous level adjustments.
- All function is controlled by an easy to use hand control.
- Both Arm rests can be adjusted towards easy patient entry from right or left thus providing easy access for handicapped patients.



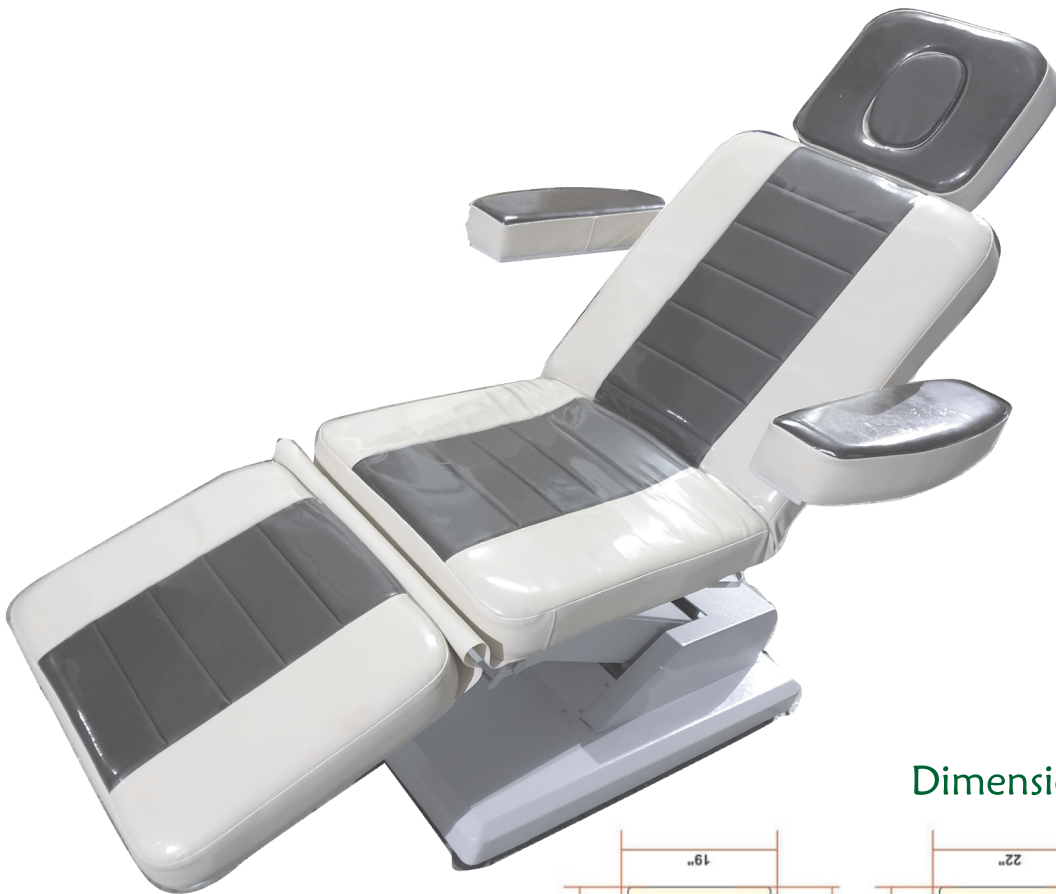
COLOUR CHOICES



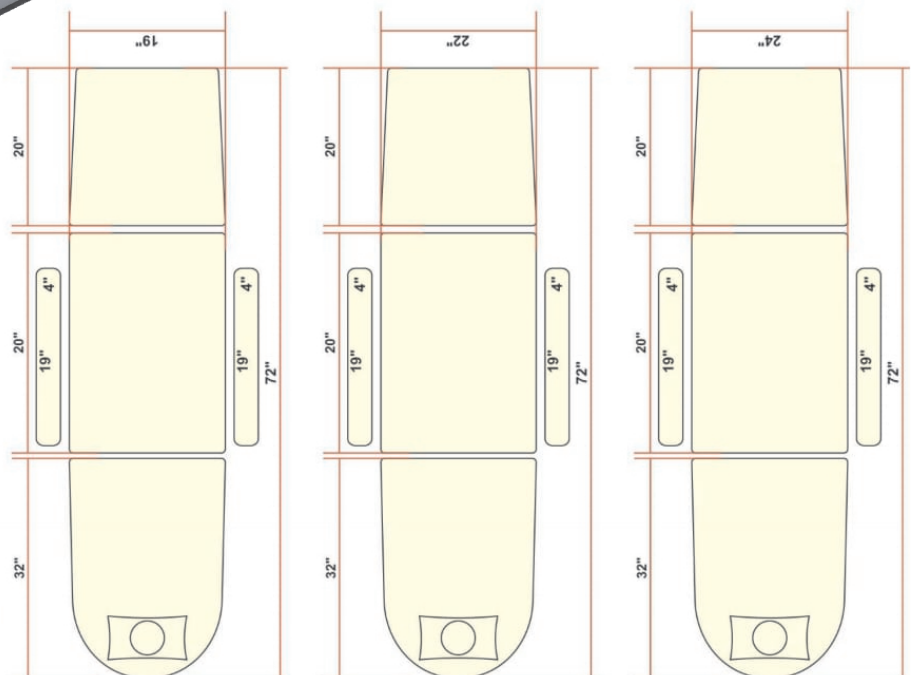
Note : Due to our continuous R&D Program, the specification and design may change without prior notice.

Technical Specification:

Chair capacity	180kg.
Power supply	230 AC 50 Hz, 4.2A
Control Box	Type CB9 Careline.
Duty Cycle	Max.2 min for every 20min
Ambient Temp.	-5°c to 40° c
Actuators	24V DC permanent magnet motor Thrust up to 6000N in push and up to 4000N in pull.
Handset	For 2 or 3 operations (wireless)



Dimension



Note : Due to our continuous R&D Program, the specification and design may change without prior notice.